



## Ventilation Equipment 430 S/S Wall Hood+Filters 2400X900mm

ITEM # \_\_\_\_\_

MODEL # \_\_\_\_\_

NAME # \_\_\_\_\_

SIS # \_\_\_\_\_

AIA # \_\_\_\_\_



642289 (MP924BT)

430 stainless steel Wall Hood with filters

### Short Form Specification

Item No. \_\_\_\_\_

Constructed in 430 AISI stainless steel. Equipped with labyrinth filters in 430 AISI stainless steel, blind panels in 304 AISI stainless steel and condensate collecting tray.

### Main Features

- External panels with upturned edges to avoid injuries.
- Prearranged for installation of lighting.
- Low noise level.

### Construction

- Eyebolts and screw anchors for ceiling installation.
- 430 AISI stainless steel labyrinth filters easily removable for cleaning.
- Back drain pipe with drain hole to transfer grease into a 304 AISI container.
- 304 AISI stainless steel condensation collection tray.
- Labyrinth filters guarantee constant filtration to avoid clogging and to protect against fire.
- 304 AISI stainless steel blind panels for a correct exhaustion.
- Outlet holes are sized in order to minimize drops in pressure.
- Entirely constructed in 304 AISI stainless steel.

### Optional Accessories

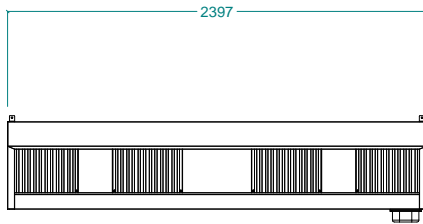
- Speed Variator for motors up to 1,17 kW PNC 640076
- Drain for hoods, diam.1/2" (m), PNC 640409  with plug

APPROVAL: \_\_\_\_\_

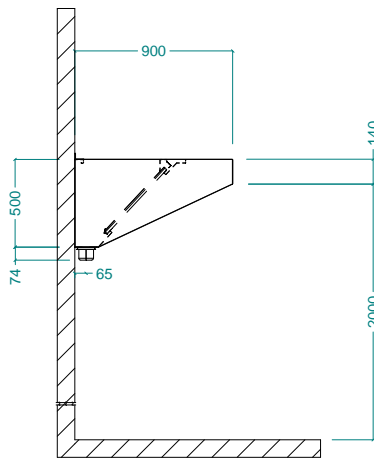


Experience the Excellence  
[www.electroluxprofessional.com](http://www.electroluxprofessional.com)

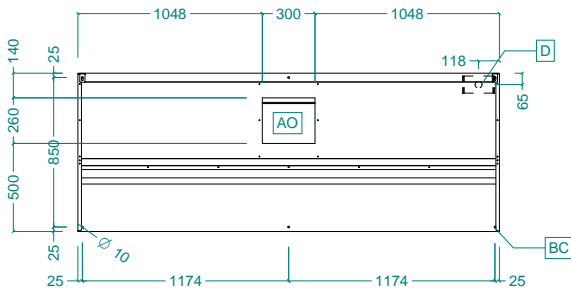
Front



Side



Top


**Key Information:**

External dimensions, Width:	2400 mm
External dimensions, Depth:	900 mm
External dimensions, Height:	500 mm
Net weight:	42 kg

**Air Emission:**

Air capacity:	
642289 (MP924BT)	2400 mc/h